



DZ Pick-Up

Parts manual



Pick-Up WS

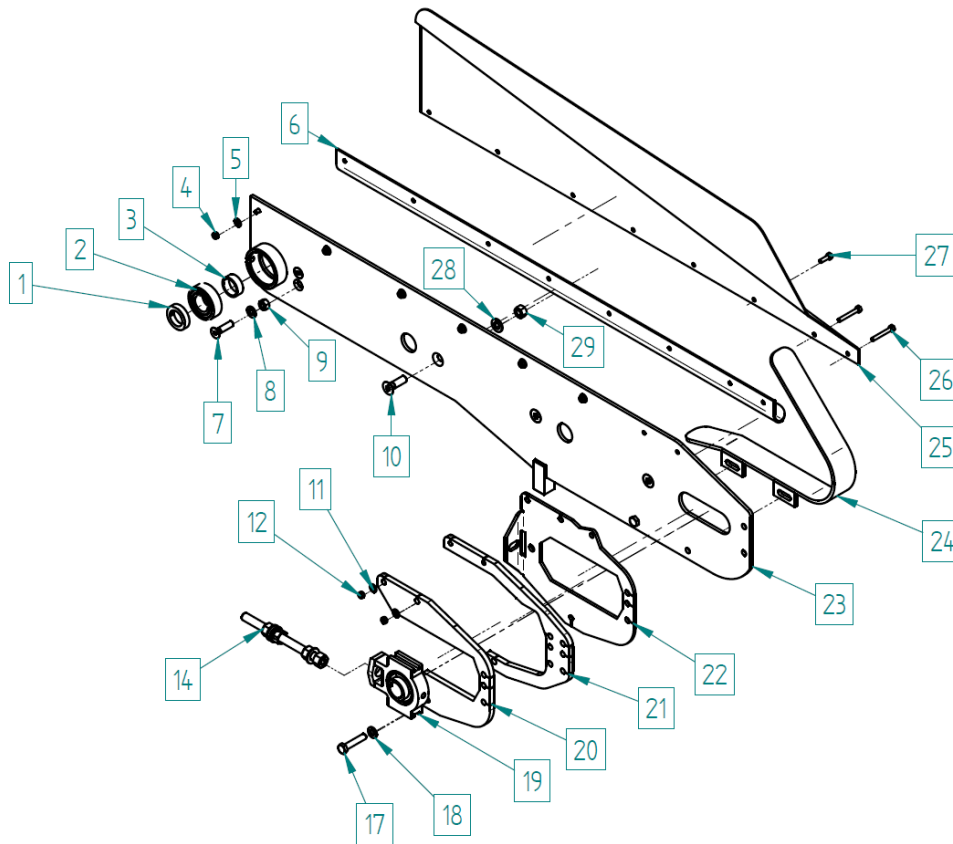
Year of construction >2018

Index

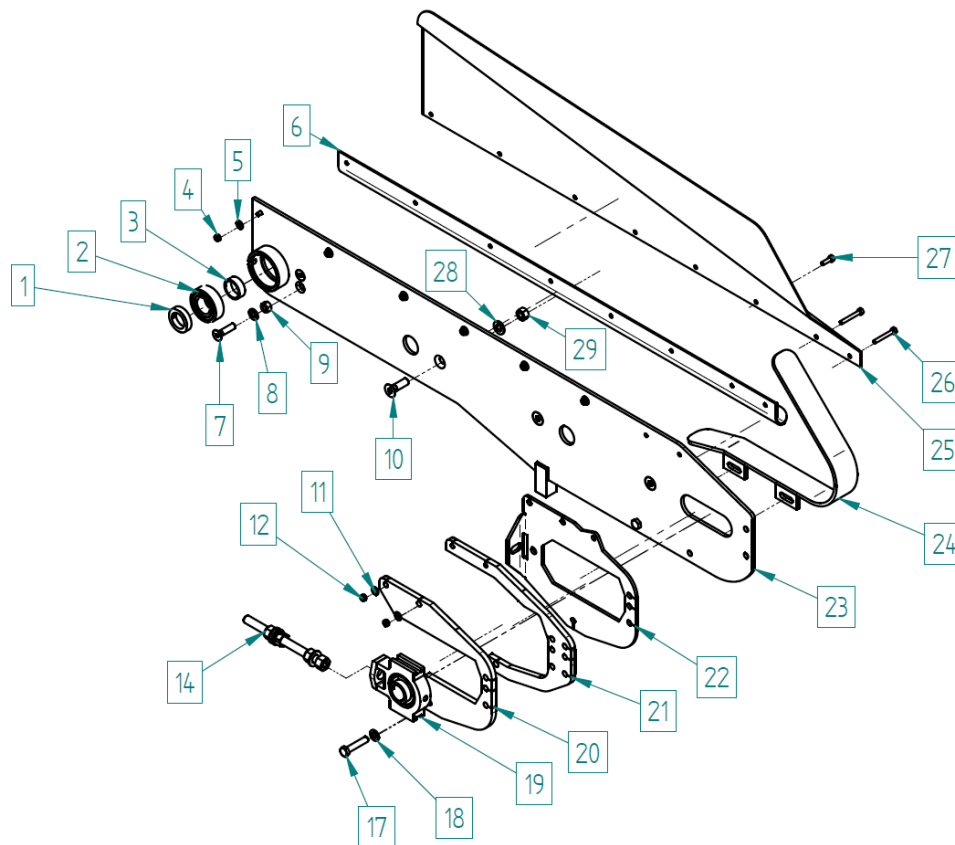
Content

Wintersteiger right side..... 3
Wintersteiger left side..... 5
Wintersteiger frame 7
Wintersteiger conveyor..... 8
Wintersteiger wheels 9
Wintersteiger supports 10

Wintersteiger right side

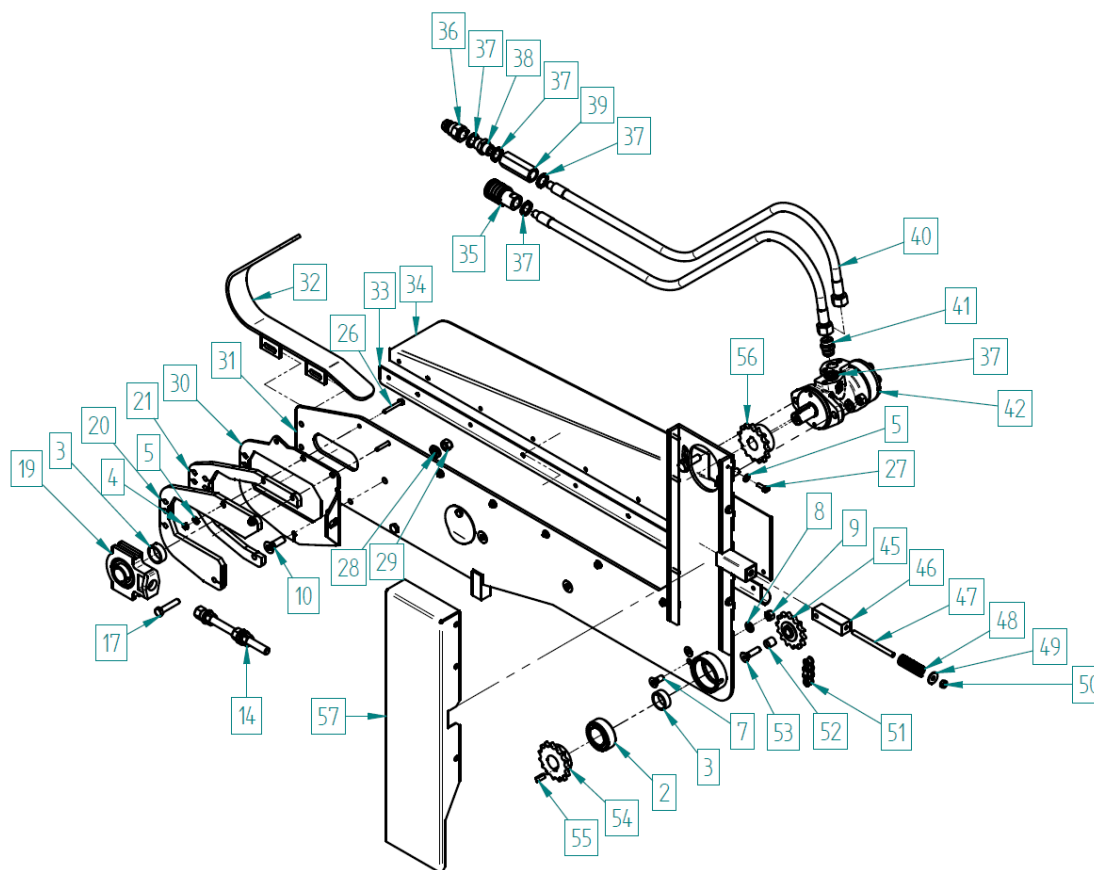


POS.	Description	Quantity	Parts No.	Note
1	Lock ring	1	705A30	DIN 705A30
2	Bearing	1	92037	2206-2RS
3	Spacer	2	91955	
4	Nut M6	8	9856	DIN 985
5	Washer M6	8	125A6	DIN 125
6	Cover guard Right	1	126405 E	L = 1050 MM
7	Countersunk screw M10x40	3	79911040	DIN 7991
8	Washer M10	2	125A10	
9	Nut M10	4	98510	DIN 985
10	Countersunk screw M12x40	3	79911240	
11	Washer M6	8	125A6	DIN 125
12	Nut M6	8	9856	DIN 985
14	Spanner	1	92043 E	M14
17	Bolt M10x50	2	9311050	DIN 931
18	Washer M10	2	125A10	DIN 125
19	Bearing	1	92038	
20	Top plate	1	126397 E	

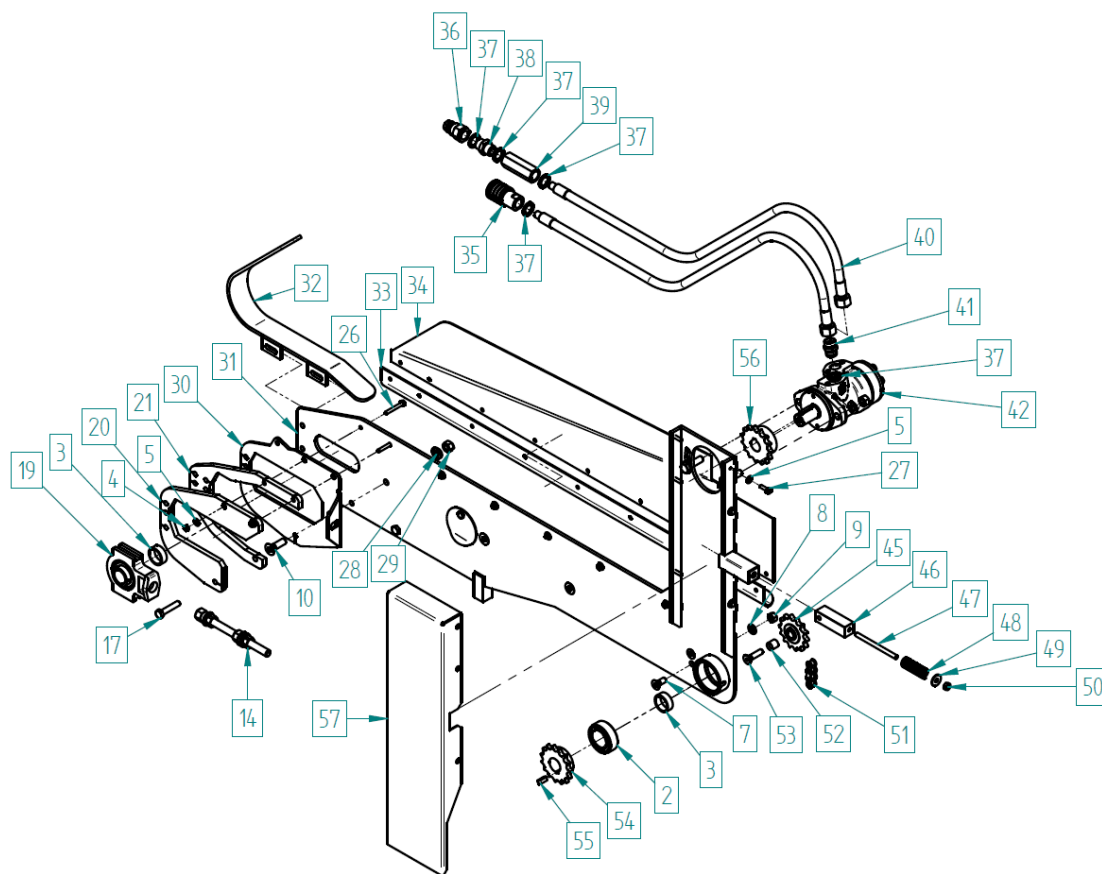


POS.	Description	Quantity	Parts No.	Note
21	Fill plate	1	126398 E	
22	Tension Plate Right	1	126401 E	
23	Base Plate Right	1	126405 E	
24	Inner Guard Right Short	1	126402 E	
25	Extension Plate Right	1	126394 E	
26	Bolt M8x50	2	931850	DIN 931
27	Bolt M6x20	12	933620	DIN 933
28	Washer M12	3	125A12	DIN 125
29	Nut M12	3	98512	DIN 985

Wintersteiger left side

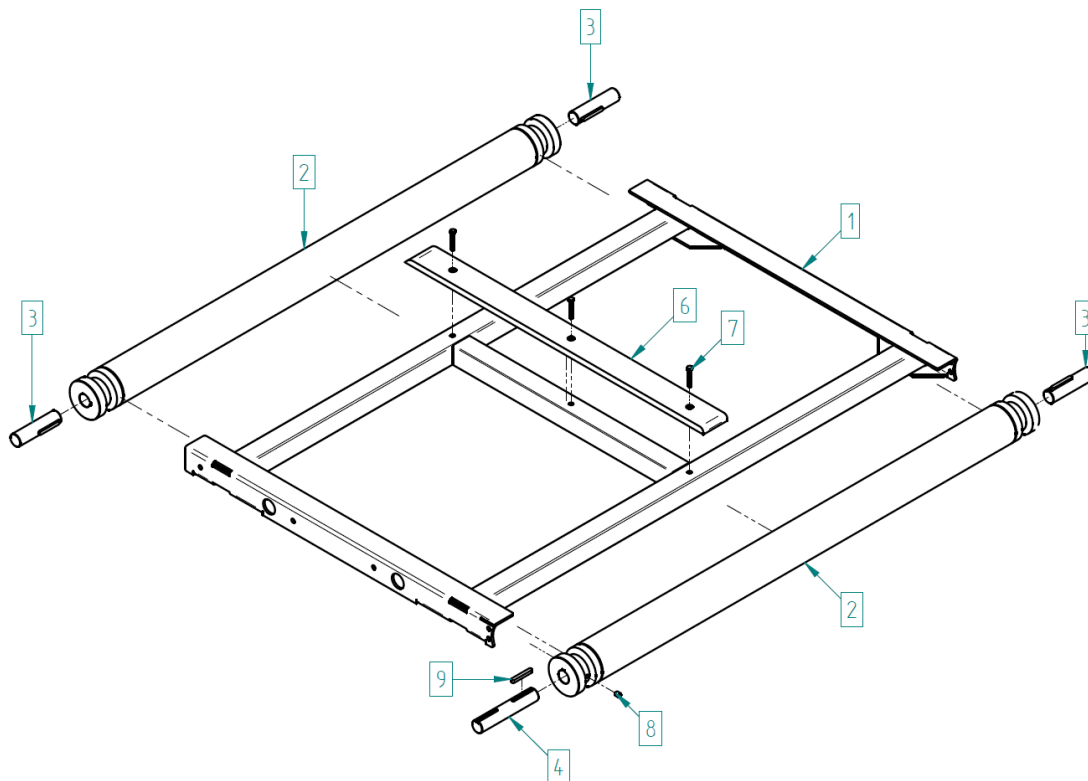


POS.	Description	Quantity	Parts No.	Note
2	Bearing	1	92037 E	2206-2RS
3	Spacer	2	91955 E	
4	Nut M6	12	9856	DIN 985
5	Washer M6	12	125A6	
7	Countersunk screw M10x40	2	79911040	DIN 7991
8	Washer M10		125A10	DIN 125
9	Nut M10	4	98510	DIN 985
10	Countersunk screw M12x40	3	79911240	DIN 7991
14	Spanner	1	92043	DIN 975
17	Bolt M10x50		9311050	DIN 931
20	Top plate	1	126397 E	
21	Fill plate	1	126398 E	
26	Bolt M8x50	2	931850	DIN 931
27	Bolt M6x20	12	933620	DIN 933
28	Washer M12	3	125A12	DIN 125
29	Nut M12	3	98512	DIN 985
30	Tension Plate Left	1	126400 E	
31	Base Plate Left	1	108893 E	
32	Inner Guard Left Short	1	126403 E	
33	Cover guard Right	1	126405 E	L = 1050mm



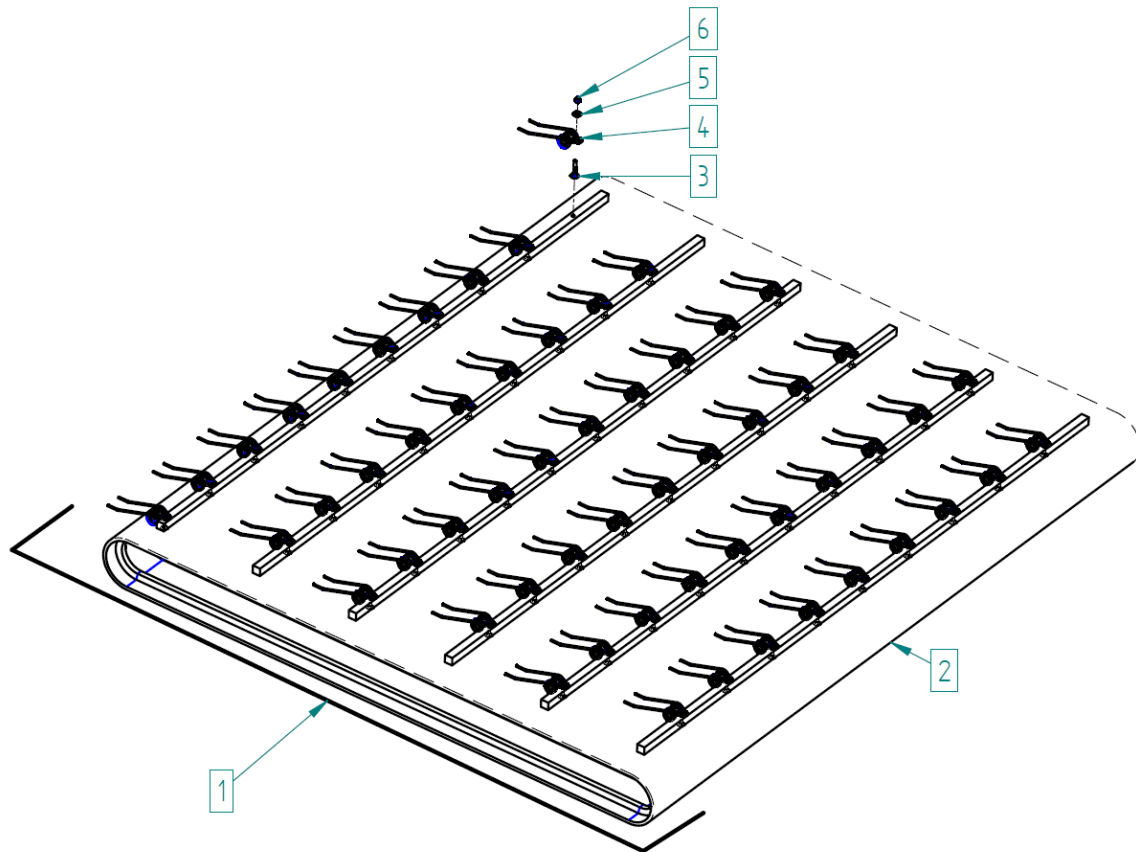
POS.	Description	Quantity	Parts No.	Note
34	Extension Plate Left	1	126393E	
35	Female Quick Coupling	1	675 E	SKPF12C08
36	Male Quick Coupling	1	674 E	SKPM12C08
37	Seal	6	TT08	½
38	Nippel	1	4588 E	DNB08
39	One-way valve	2	34639 E	LCV
40	Hydr. Hose	2	126388 E	2,7 Mtr ½
41	Nippel	2	4588 E	DNB08
42	Hydraulic motor	1	126134 E	100CC
45	Tensioning Sprocket	1	35387 E	5/8 T14 -16
46	Block	1	126390 E	
47	Thread M8x110	1	9758	DIN 975
48	Spring	1	126391 E	
49	Washer M8	1	90218	DIN 9021
50	Nut M8	1	9858	DIN 985
51	Chain 5/8	1	KE5838	
52	Spacer	1	126392 E	
53	Countersunkscrew M10x40	1	79911040	
54	Sprocket bore 30mm	1	SE581530	T15
55	Key 7x8x20	1	68858720	
56	Sprocket Bore 25m	1	SE581425	T14
57	Cover	1	108897 E	

Wintersteiger frame



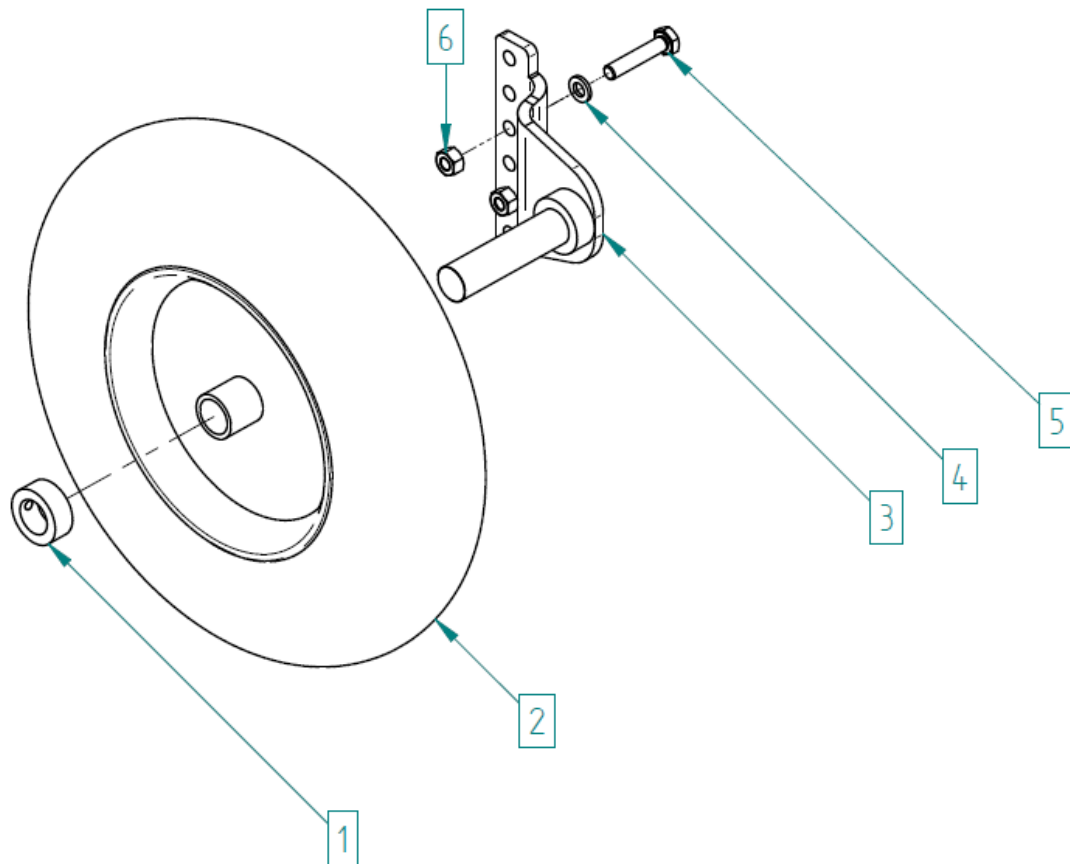
POS.	Description	Quantity	Parts No.	Note
1	Wintersteiger Frame 1.35m	1	126407 E	
1	Wintersteiger Frame 1.40m	1	126408 E	
2	Roller 1.35	2	126409 E	
2	Roller 1.40	2	108889 E	
3	Shaft 30x120 mm	3	91933 E	
4	Shaft 30X210 mm	1	91934 E	
6	Wearplate	1	108887 E	
7	Bolt	3	ISO7380ULF616109	ISO 7380
8	Socket set screw	4	9161016	DIN 916
9	KEY	4	68858750	DIN 6885

Wintersteiger conveyor



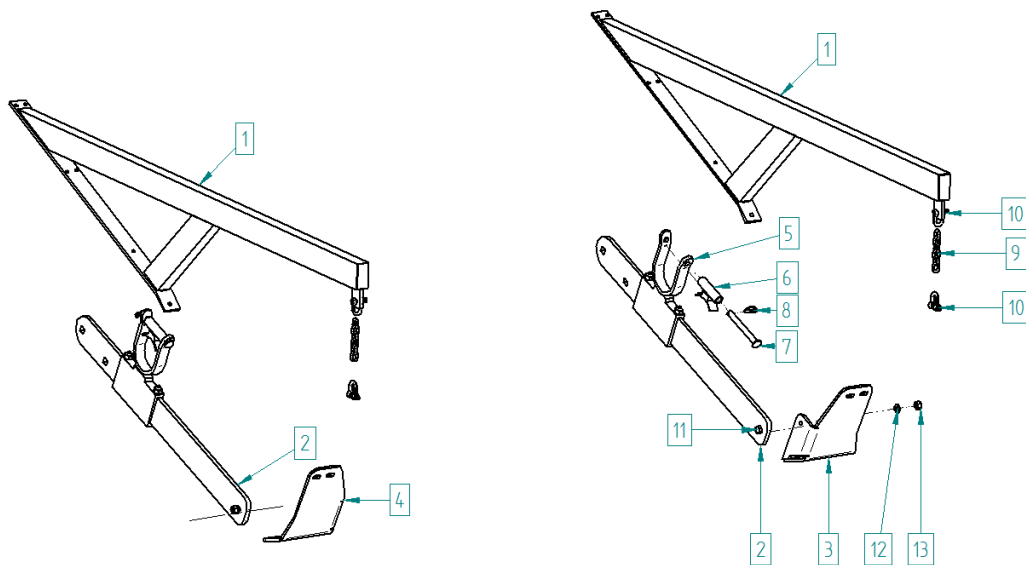
POS.	Description	Quantity	Parts No.	Note
1	Conveyor belt Compleet 1.35M	1	121029 E	
1	Conveyor belt Compleet 1.40M	1	108880 E	
2	Conveyor belt 1.35M	1		Please call when needed
2	Conveyor belt 1.40M	1		Please call when needed
3	Bolt M5x	x	603525	DIN603
4	Spring	x	314178 E	
5	Washer	x	440R5	DIN 440
6	Nut	x	9855	DIN 985

Wintersteiger wheels



POS.	Description	Quantity	Parts No.	Note
1	Locking ring	2	705A25	DIN 705
2	Tyre compleet	2	90265 E	4.00-8
3	Wheel Bracket	2	126410	
4	Washer M10	4	125A10	DIN 125
5	Bolt M10 x 50	4	9311050	DIN 931
6	Nut M10	4	98510	DIN 985
X	Wheel Set Compleet	2	126411 E	Set compleet

Wintersteiger supports



POS.	Description	Quantity	Parts No.	Note
1	Upper support	2	126417 E	
2	Strip	2	126416 E	
3	Lower Support Left	1	126414 E	
4	Lower support Right	1	126415 E	
5	Bracket	2	126418 E	
6	Locking	4	76516 E	
7	Pin 12x120mm	2	76517 E	
8	Safety lock	2	65095 E	
9	Chain	2	116384 E	42X6
10	D chackle 5/16	2	126413 E	
11	Bolt M10x30	2	9331030	DIN 933
12	Washer M10	2	125A10	A125
13	Nut M10	2	98510	DIN 985