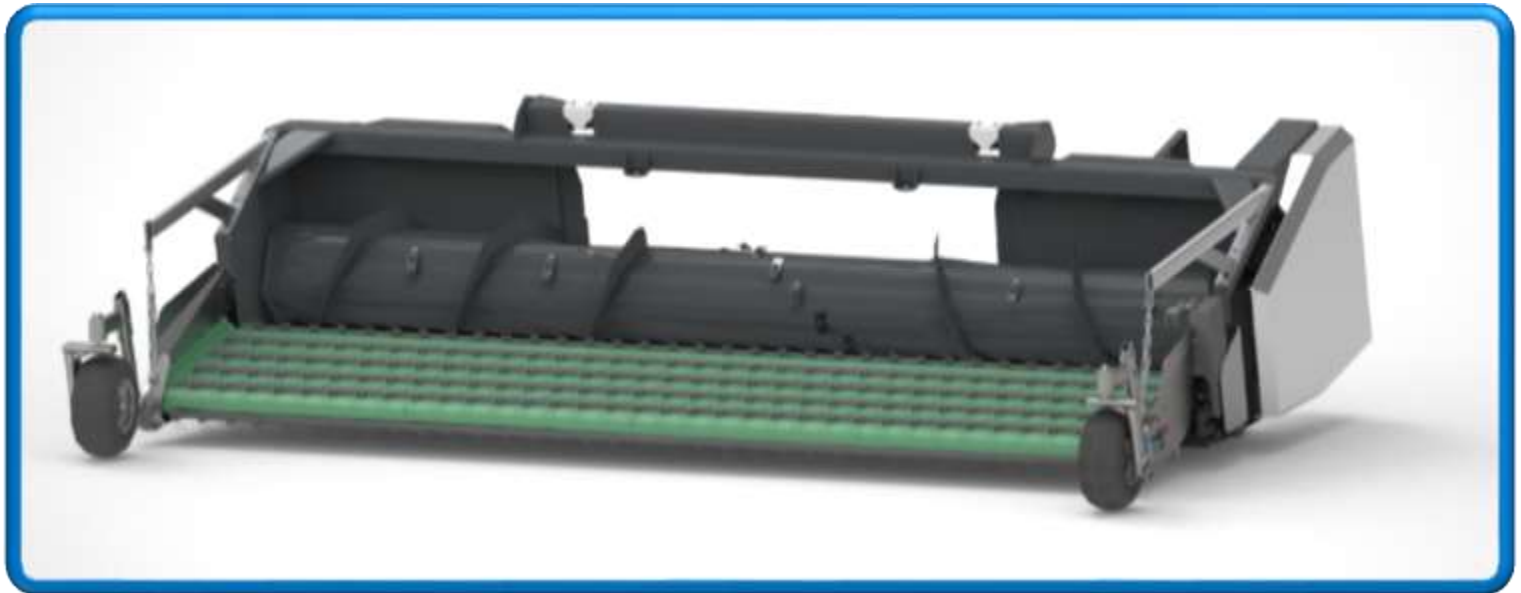




DZ Pick-up

Parts list



Model: Type 3

Year: 2021

Version V21-2
05-2021

Mail: info@adendekker.nl
Tel: 0031 (0)183-501455
Fax: 0031 (0)183-502319

www.adendekker.nl

A. Den Dekker en Zn. BV

Schans 4
4251PT, Werkendam
The Netherlands

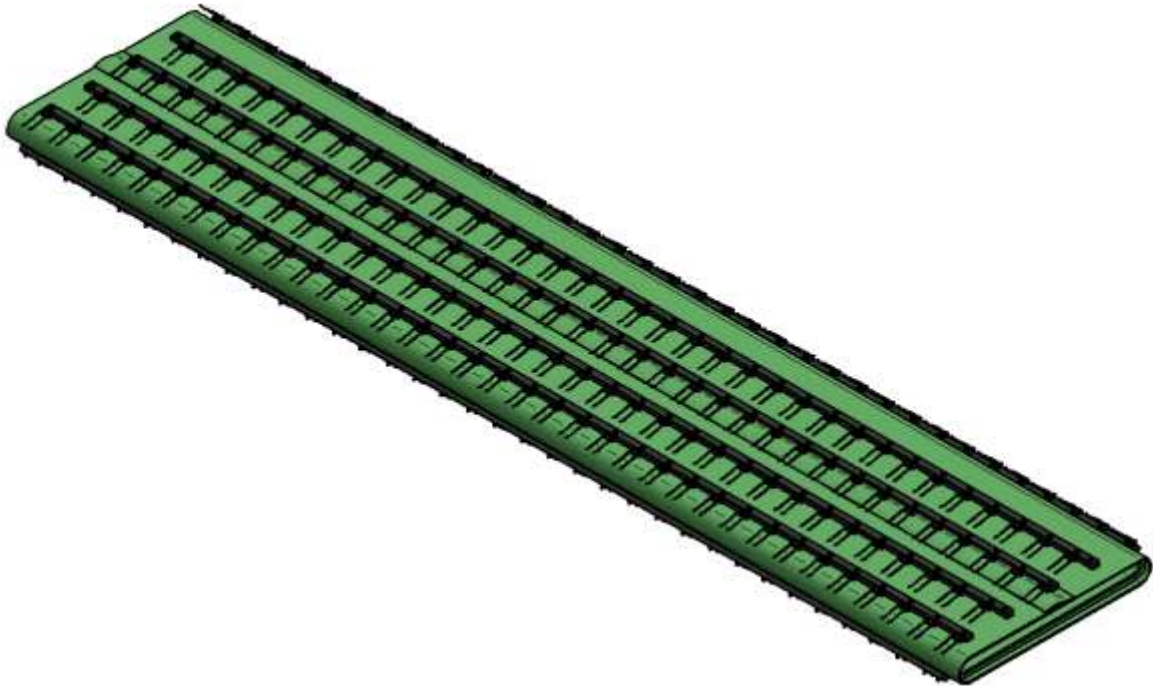


Table of contents

1.	DZ parts list 2021 – Conveyor belt	3
2.	DZ parts list 2021 – parts conveyor belt.....	5
3.	DZ parts list 2021 – STD baseplate left.....	7
4.	DZ parts list 2021 – STD baseplate right.....	9
5.	DZ parts list 2021 – Hydraulic drive.....	11
6.	DZ parts list 2021 – Frame with 1 tensioner	13
6.1	Table: Roller complete:	15
7.	DZ parts list 2021 – Header support right	16
8.	DZ parts list 2021 – Header support left	17
9.	DZ parts list 2021 – Outer skid	18
10.	DZ Parts list 2021 – Fixed wheel.....	19
11.	DZ parts list 2021 – Swivel wheel Left.....	20
12.	DZ parts list 2021 – Swivel wheel right.....	21
13.	DZ parts list 2021 – Swivel wheel left Swath-down	22
14.	DZ parts list 2021 – Swivel wheel right Swath-down	23
15.	DZ parts list 2021 – Swath-down.....	24
15.1	Swath-down position 1.....	25
16.	DZ parts list 2021 – Flow board	26
16.1	Flow board pos. 3 :	27



1. DZ parts list 2021 – Conveyor belt



Figuur 1: Conveyor belt

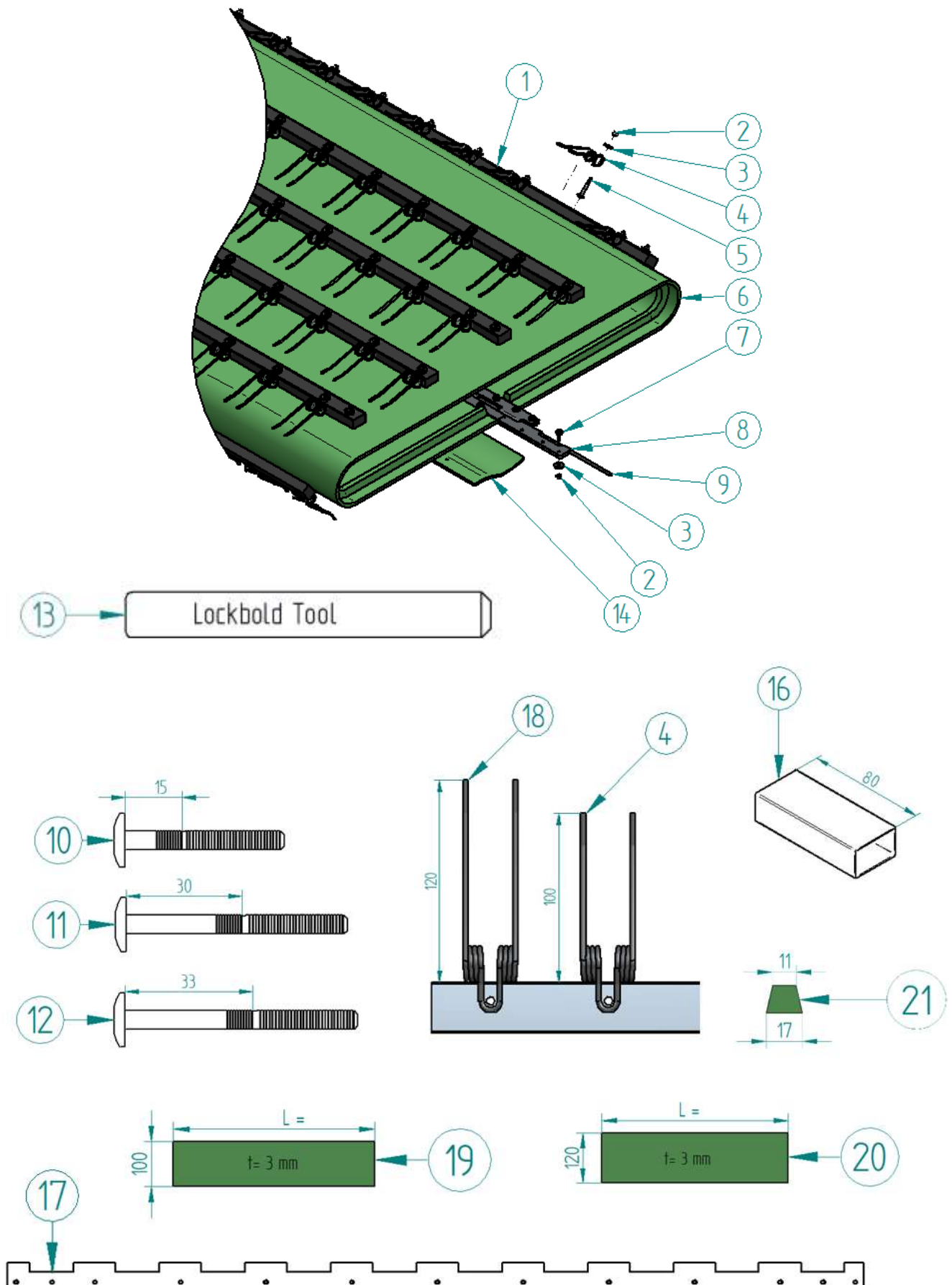
Type	Part no.	Description	Measurements
DZ 1.40	136061	Conveyor belt complete	1750 X 1390
DZ 1.50	136060	Conveyor belt complete	1750 X 1490
DZ 1.80	136059	Conveyor belt complete	1750 X 1790
DZ 1.90	136058	Conveyor belt complete	1750 X 1890
DZ 2.00	36099	Conveyor belt complete	1750 X 1990
DZ 2.20	136057	Conveyor belt complete	1750 X 2190
DZ 2.30	106761	Conveyor belt complete	1750 X 2290
DZ 2.40	163056	Conveyor belt complete	1750 X 2390
DZ 2.50	53212	Conveyor belt complete	1750 X 2490
DZ 2.70	136055	Conveyor belt complete	1750 X 2690
DZ 2.75	136054	Conveyor belt complete	1750 X 2740
DZ 2.90	136053	Conveyor belt complete	1750 X 2890
DZ 2.95	136052	Conveyor belt complete	1750 X 2940
DZ 3.00	136051	Conveyor belt complete	1750 X 2990
DZ 3.10	136048	Conveyor belt complete	1750 X 3090
DZ 3.20	136047	Conveyor belt complete	1750 X 3190
DZ 3.40	83815	Conveyor belt complete	1750 X 3390
DZ 3.60	14877	Conveyor belt complete	1750 X 3590
DZ 3.60L	59628	Conveyor belt complete	2750 X 3590
DZ 3.70	14786	Conveyor belt complete	1750 X 3690
DZ 3.70L	57585	Conveyor belt complete	2750 X 3690



DZ 3.80	116403	Conveyor belt complete	1750 X 3790
DZ 3.90	14787	Conveyor belt complete	1750 X 3890
DZ 3.90L	121870	Conveyor belt complete	2750 X 3890
DZ 4.00	60545	Conveyor belt complete	1750 X 3990
DZ 4.10	136305	Conveyor belt complete	1750 X 4090
DZ 4.20	28108	Conveyor belt complete	1750 X 4190
DZ 4.30	136046	Conveyor belt complete	1750 X 4290
DZ 4.50	92311	Conveyor belt complete	1750 X 4490
DZ 4.55	136045	Conveyor belt complete	1750 X 4540
DZ 4.60	109711	Conveyor belt complete	1750 X 4590
DZ 4.70	136044	Conveyor belt complete	1750 X 4690
DZ 4.80	71664	Conveyor belt complete	1750 X 4790
DZ 4.90	136043	Conveyor belt complete	1750 X 4890
DZ 5.00	136041	Conveyor belt complete	1750 X 4990
DZ 5.10	67270	Conveyor belt complete	1750 X 5090
DZ 5.20	136040	Conveyor belt complete	1750 X 5190
DZ 5.30	57315	Conveyor belt complete	1750 X 5290
DZ 5.40	136039	Conveyor belt complete	1750 X 5390
DZ 5.50	92312	Conveyor belt complete	1750 X 5490
DZ 5.60	136038	Conveyor belt complete	1750 X 5590
DZ 5.70	51795	Conveyor belt complete	1750 X 5690
DZ 5.80	36368	Conveyor belt complete	1750 X 5790
DZ 5.80 LT	69303	Conveyor belt complete	1750 X 5790 LT
DZ 5.90	136037	Conveyor belt complete	1750 X 5890
DZ 5.95	136036	Conveyor belt complete	1750 X 5940
DZ 6.00	85215	Conveyor belt complete	1750 X 5990
DZ 6.10	92313	Conveyor belt complete	1750 X 6090
DZ 6.20	79170	Conveyor belt complete	1750 X 6190
DZ 6.35	136035	Conveyor belt complete	1750 X 6340
DZ 6.40	136032	Conveyor belt complete	1750 X 6390
DZ 6.50	92314	Conveyor belt complete	1750 X 6490
DZ 6.90	136031	Conveyor belt complete	1750 X 6890
DZ 7.10	136030	Conveyor belt complete	1750 X 7090
DZ 7.25	136029	Conveyor belt complete	1750 X 7240
DZ 7.30	136028	Conveyor belt complete	1750 X 7290
DZ 7.35	136027	Conveyor belt complete	1750 X 7340
DZ 7.40	136026	Conveyor belt complete	1750 X 7390
DZ 7.60	136025	Conveyor belt complete	1750 X 7590



2. DZ parts list 2021 – parts conveyor belt

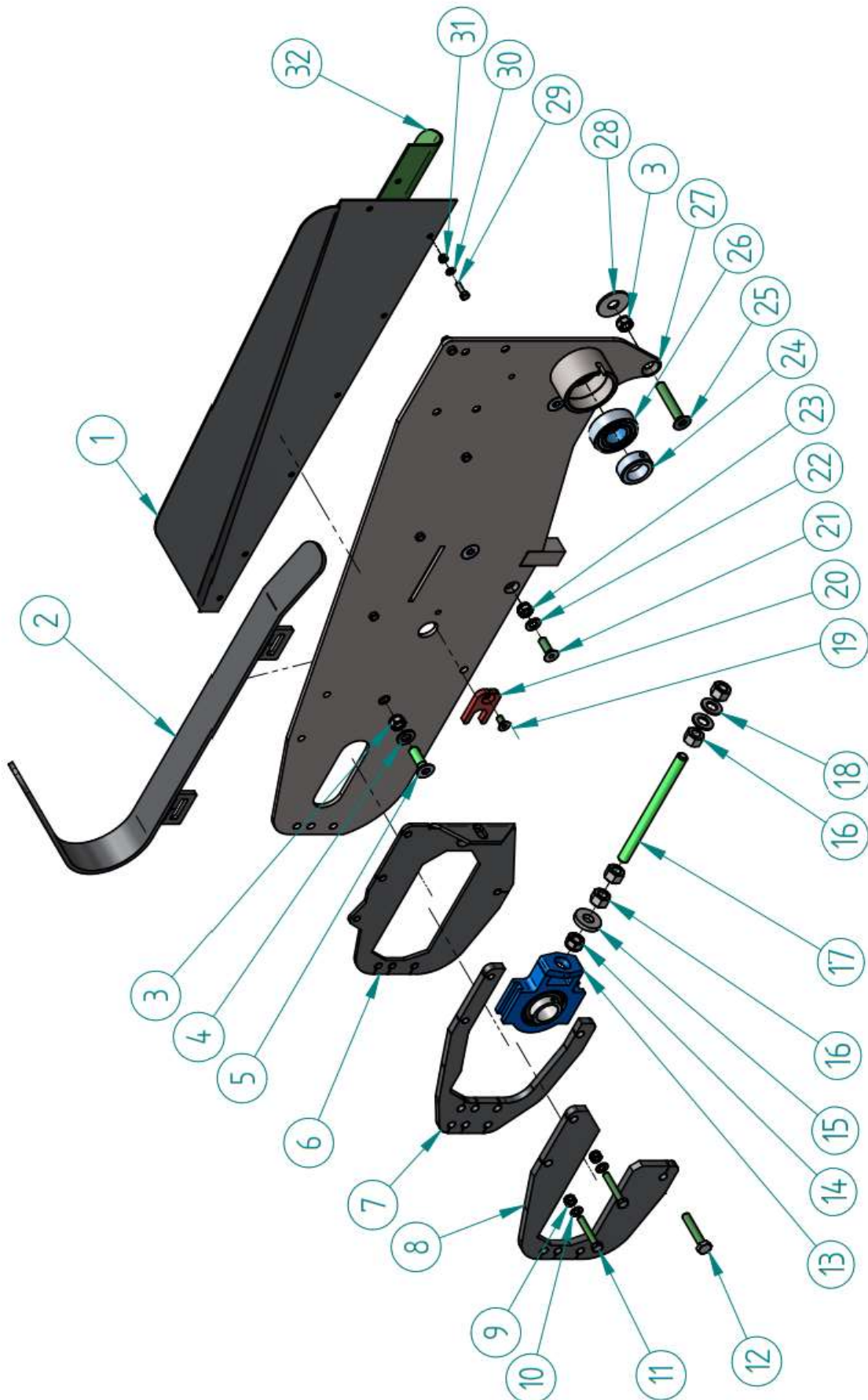




Position	Parts no.	Description	Note
	See chapter 1	Conveyor belt complete	Page 3/4
1	B1749500007	Synthetic strip	31x18x2000 mm
2	202621010	Nut	
3	440R5	Washer m5	DIN440
4	314178	pick-up spring standard	18 / 100
5	261010800	Lock-bold short 30	30 mm
6	On request	Conveyor belt	Order on type & serial no.
7	202620605	Lock-bold hinge	15 mm
8	91796	Belt connector set	Length = 2895 mm
9	15376	Belt connector pin	5mm x 6m
10	202620605	Lock-bold belt connector	15 mm
11	261010800	Lock-bold short	30 mm
12	202610801	Lock-bold Long	33 MM
13	71935	Lock-bold tool	
14	70900	Seal 120 MM	/ meter
15	314179	pick-up spring long	18 / 120 mm
16	111611	Nylon strip connector	80 mm
17	64718	Belt connector repair set	Length = 1000 mm
18	314179	Pick-up spring extended (long)	18 / 120 mm
19	75828	Repair piece 100mm	/ meter
20	70900	Repair piece 120mm	/ meter
21	30506	Repair guidance V belt	/ meter



3. DZ parts list 2021 - STD baseplate left

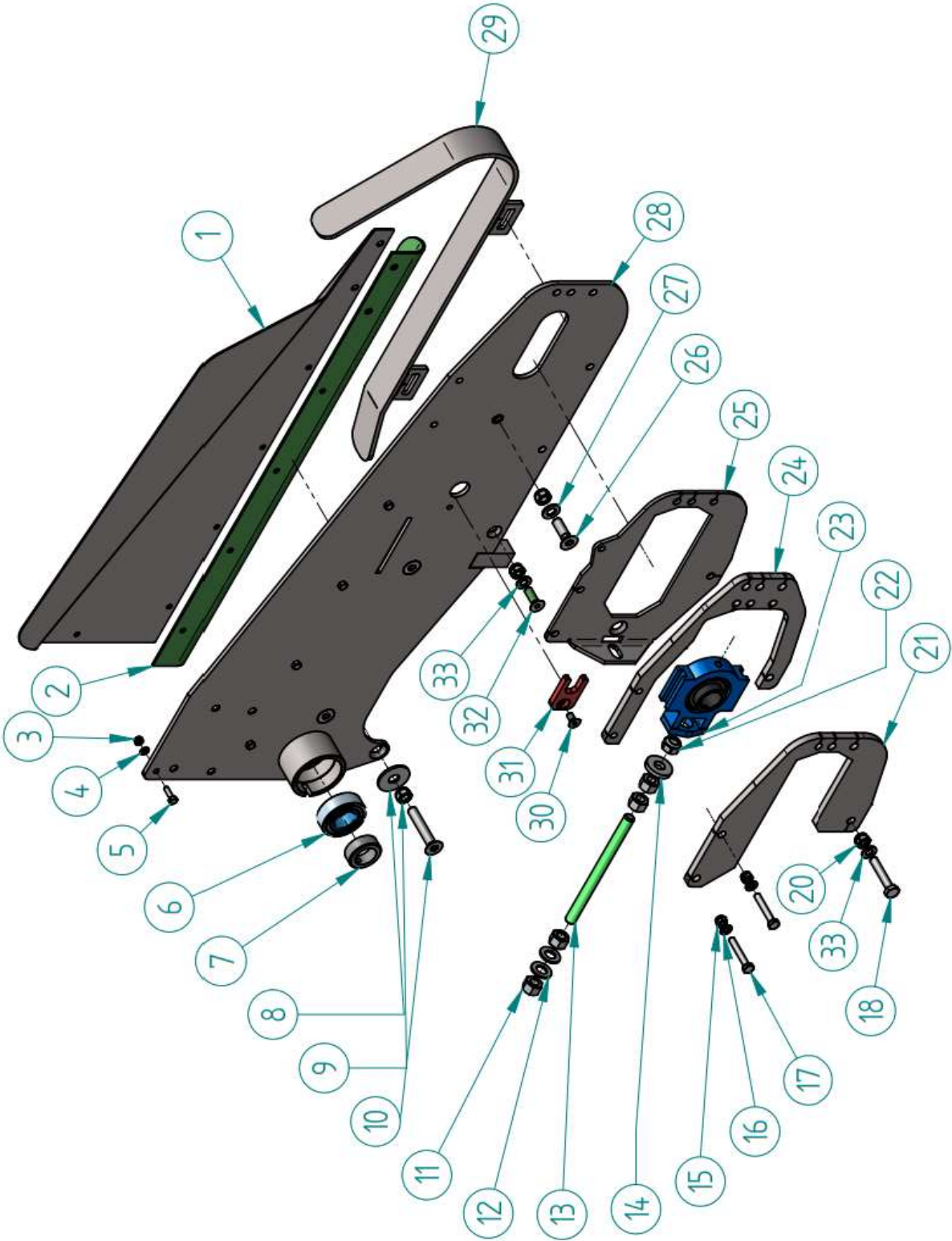




Position	Parts no.	Qty.	Description	Note
1	92024	1	Guide plate Left STD	
2	127786	1	Protective bracket left	
3	98512	4	M12 locknut	DIN985
4	125A12	3	M12 washer	DIN125
5	79911240	3	M12 X 40	DIN7991
6	126400	1	Tension plate left	
7	126398	1	Fill plate	
8	126397	1	Top plate	
9	9858	2	M8 Locknut	DIN985
10	125A6	2	M8 ring	DIN125
11	931850	2	M8 x 50	DIN 931
12	9331055	1	M10 x 55	DIN 933
13	92038	1	Bearing	UCT30
14	98514	1	M14 Locknut	DIN985
15	734914	1	Washer M14 heavy duty	DIN7349
16	93414	4	M14 nut	DIN934
17	97514	1	Threaded bar	M14 x 190
18	125A14	2	M14 washer	DIN125
19	7991816	1	M8 X 16	DIN7991
20	92039	1	Lock plate	
21	79911030	1	M10 x 30	DIN7991
22	125A10	2	M10 washer	DIN125
23	98510	2	M10 locknut	DIN985
24	705A30	1	Lock ring 30mm	
25	79911270	1	M12 X 70	DIN7991
26	92037	1	Bearing	2206-2RS
27	118206	1	Base plate left	
28	9021A14	1	M14 washer	DIN9021
29	933620	5	M6 x 20	DIN933
30	125A6	5	M6 Washer	DIN125
31	9856	5	M6 Locknut	DIN985
32	92225	1	Seal left	



4. DZ parts list 2021 – STD baseplate right

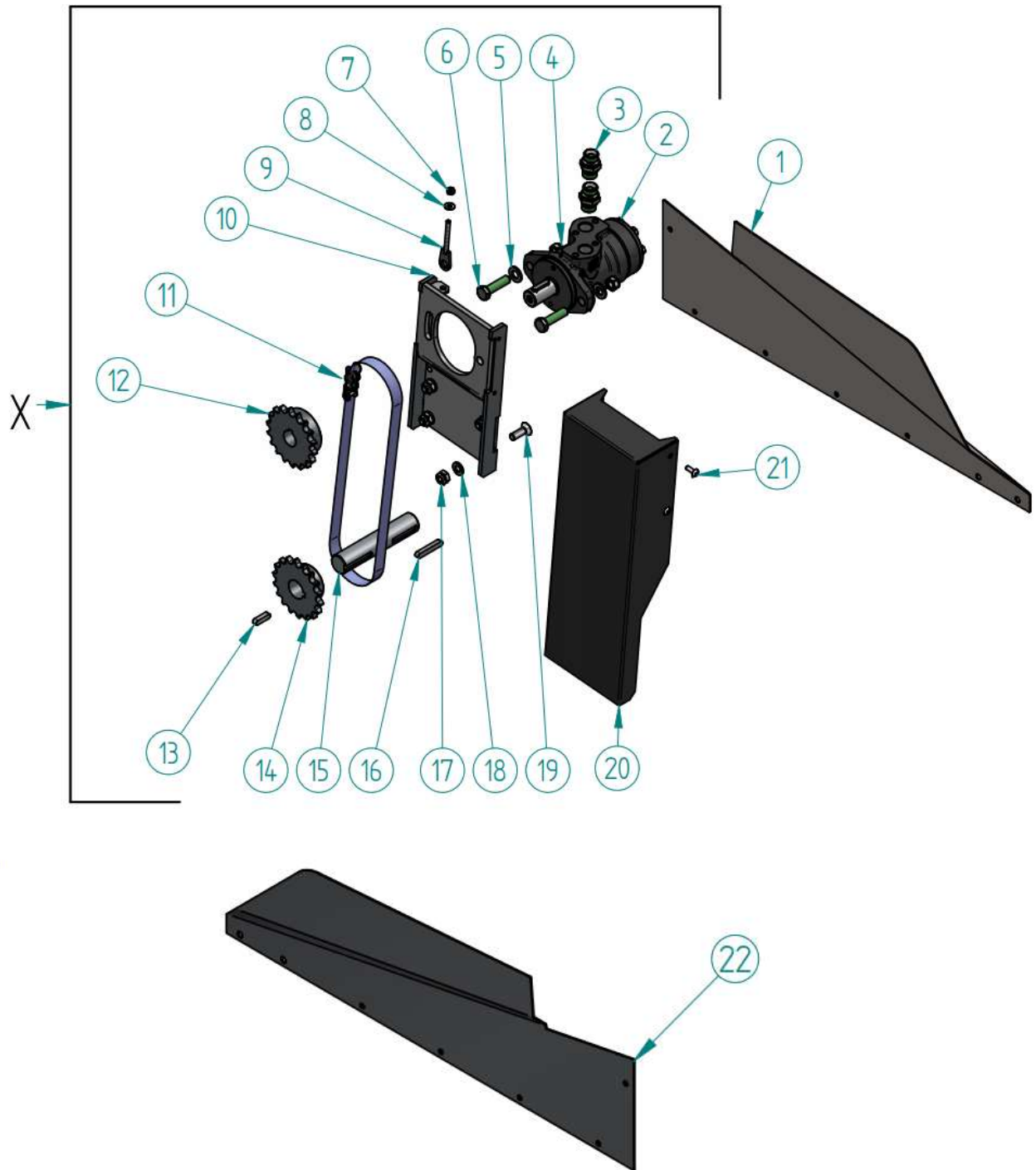




Position	Parts no.	Description	Note
1	92023	Guide plate right STD	
2	92025	Seal 100 x 750	
3	9856	M6 locknut	DIN 985
4	125A6	M6 washer	DIN 125
5	933620	M6 x 20	DIN 933
6	92037	Bearing	2206-2RS
7	705A30	Lock ring 30mm	
8	9021A14	M14 washer	
9	98512	M12 locknut	DIN985
10	79911270	M12 X 70	DIN 7991
11	93414	M14 nut	DIN934
12	125A14	M14 washer	
13	97514	Threaded bar M14 x 190	
14	734914	Washer M14	DIN7349
15	9858	M8 Locknut	DIN985
16	125A6	M8 washer	DIN125
17	931850	M8 x 50	DIN931
18	9331055	M10 x 55	DIN933
20	98510	M10 locknut	DIN985
21	126397	Top Plate	
22	98514	M14 locknut	DIN985
23	92038	Bearing	UCT30
24	126398	Fill plate	
25	126401	Tension plate right	
26	79911240	M12 X 40	DIN 7991
27	125A12	M12 washer	DIN125
28	118313	Base plate right	
29	127784	Protective bracket right	
30	7991816	M8 X 16	DIN7991
31	92039	Lock plate	
32	79911030	M10 x 30	DIN7991
33	125A10	M10 washer	DIN125



5. DZ parts list 2021 – Hydraulic drive

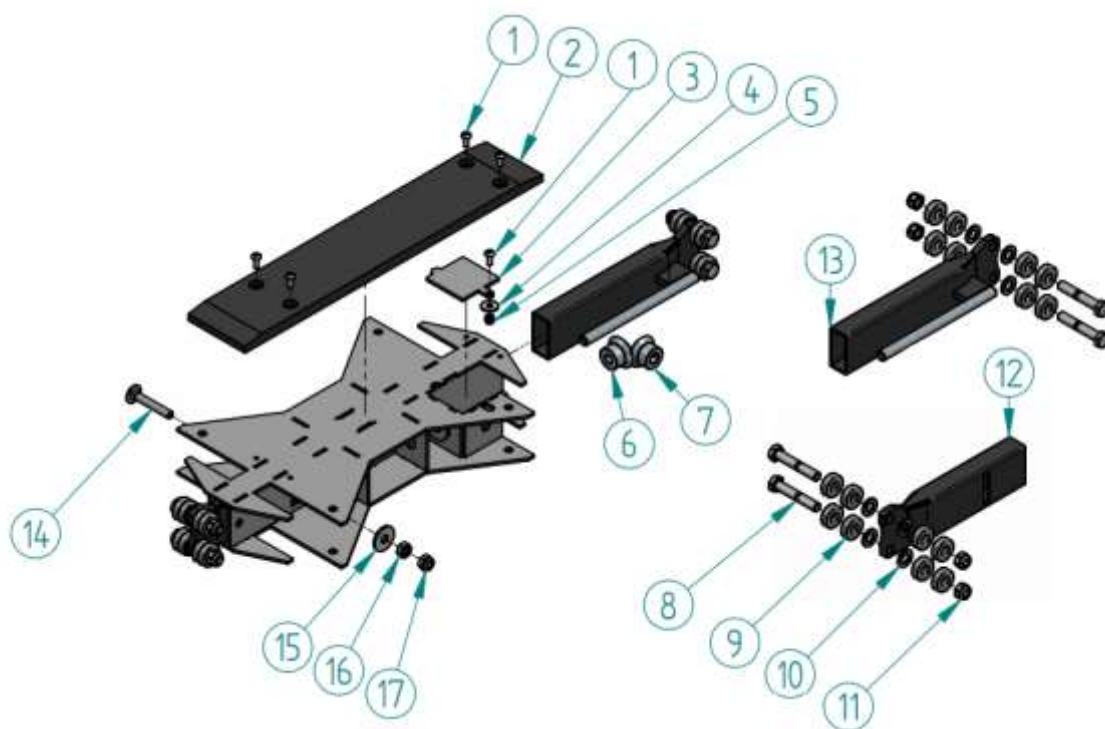




Position	Parts no.	Qty.	Description	Note
1	136225	1	Guide plate hydraulic right	
2	WR255160A6312	1	Hydraulic motor	
3	DNB08	2	Hydraulic adapter	
4	98512	2	M12 locknut	DIN985
5	125A12	2	M12 washer	DIN125
6	9331245	2	M12 X 45	DIN 933
7	9856	1	M6 locknut	DIN 985
8	440R6	1	M6 washer	DIN 440
9	119766	1	Hydr. Tensioner	
10	119932	1	Motor support	
11	KE5838	1	5/8 - 3/8 Chain	L = 885 mm , 54 pins
12	SE581825	1	Sprocket 5/8 T18 B25	SE581825
13	68858730	1	Key 7x8x30	DIN 6885
14	SE581830BEW	1	Sprocket 55MM	SE581830
15	100-0211	1	Driveshaft hydraulic 30x 150	100-0211
16	68858750	1	Key 7 x 8 x 50	DIN7885
17	98510	4	M10 locknut	DIN985
18	125A10	4	M10 washer	DIN125
19	79911030	4	M10 X 30	DIN7991
20	92047	1	Cover	
21	ISO7380ULF616109	4	M6x16	ISO7380 ULF
X	48078	1	Hydraulic drive complete	
22	92042	1	Guide plate hydraulic left	



6. DZ parts list 2021 – Frame with 1 tensioner



Position	Parts no.	Qty.	Description	Note
1	ISO7380ULF616109	5	M6x16	ISO7380 ULF
2	100-0107	1	Wear strip 100mm	
3	100-1004-80	1	Lid gearbox	
4	440R6	1	M6 washer	DIN440
5	9856	1	M6 locknut	DIN682
6	114812	1	Sprocket set	MOD 2,5 - 16 M14
7	91958	1	Sprocket tapped hole 8mm	MOD 2,5 - 16 14mm
8	9311270	4	M12 x 70 bolt	DIN931
9	91968	16	Roller	LR201-2RS
10	125A12	8	M12 washer	DIN125
11	98512	4	M12 locknut	DIN985
12	126436	1	Tensioner back side	
13	126435	1	Tensioner front side	
14	6031070	1	M10 x 70 bolt	DIN603
15	440R10	1	M10 washer	DIN440
16	93410	1	M10 nut	DIN934
17	98510	1	M10 locknut	DIN985



Position	Parts no.	Qty.	Description	Note
18	100-0106_A	3	Wear strip-70x525	
19	9161016	5	M10x16	DIN916
20	91955	2	spacer	
21	68858750	2	Key - 7 x 8 x 50	DIN7885
22	100-0202	2	Shaft 30 X 120	
23	9331040	1	M12 X 40	DIN933
24	ISO7380ULF616109	4	M6x16	ISO7380 ULF
25	Tablel 6.1	2	Roller complete	



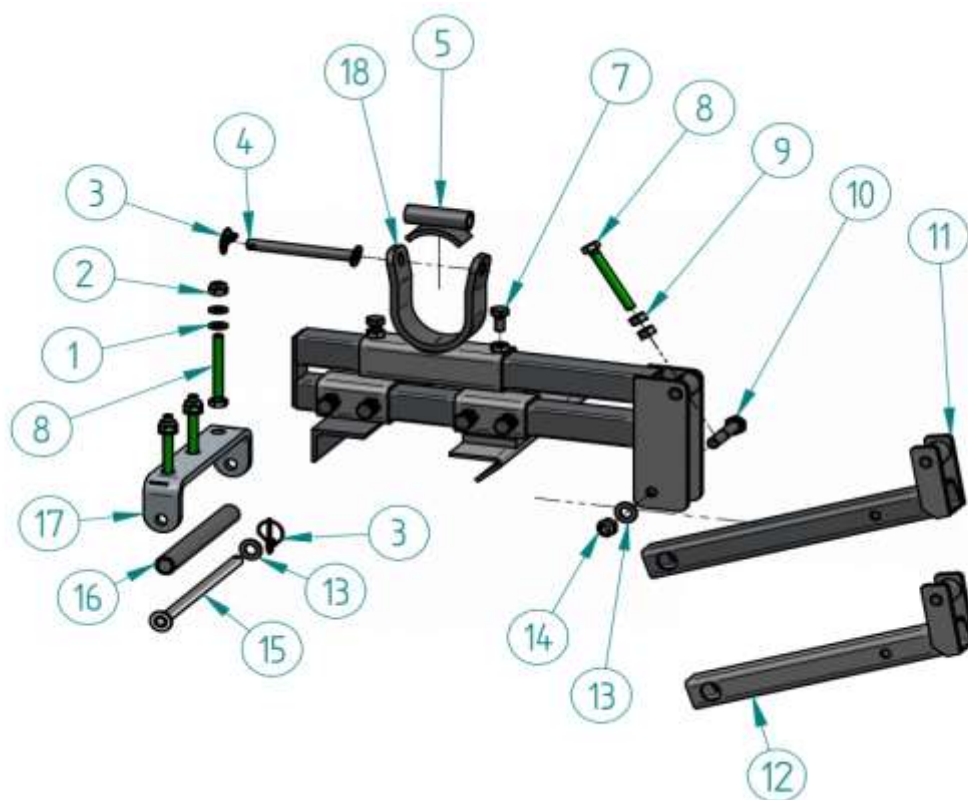
6.1 Table: Roller complete:

Position	DZ-type	Part no.
25	DZ 1.40	108888
25	DZ 1.50	136270
25	DZ 1.80	136271
25	DZ 1.90	136272
25	DZ 2.00	91935
25	DZ 2.20	136273
25	DZ 2.30	136274
25	DZ 2.40	136275
25	DZ 2.50	91936
25	DZ 2.70	136276
25	DZ 2.75	136277
25	DZ 2.90	136278
25	DZ 2.95	136280
25	DZ 3.00	136279
25	DZ 3.10	136281
25	DZ 3.20	136282
25	DZ 3.40	91937
25	DZ 3.60	68249
25	DZ 3.70	68250
25	DZ 3.80	91938
25	DZ 3.90	68253
25	DZ 4.00	91939
25	DZ 4.10	136304
25	DZ 4.20	68255
25	DZ 4.30	136283
25	DZ 4.50	91940
25	DZ 4.55	136284
25	DZ 4.60	136285

Position	DZ-type	Part no.
25	DZ 4.70	136286
25	DZ 4.80	91943
25	DZ 4.90	136287
25	DZ 5.00	136288
25	DZ 5.10	91941
25	DZ 5.20	136289
25	DZ 5.30	68256
25	DZ 5.40	136290
25	DZ 5.50	91942
25	DZ 5.60	136291
25	DZ 5.70	45341
25	DZ 5.80	45342
25	DZ 5.80-2	130699
25	DZ 5.90	136292
25	DZ 5.95	136293
25	DZ 6.00	91944
25	DZ 6.10	136294
25	DZ 6.20	101640
25	DZ 6.35	136295
25	DZ 6.40	136296
25	DZ 6.50	92315
25	DZ 6.90	136297
25	DZ 7.10	136298
25	DZ 7.25	136299
25	DZ 7.30	136300
25	DZ 7.35	136301
25	DZ 7.40	136302
25	DZ 7.60	136303



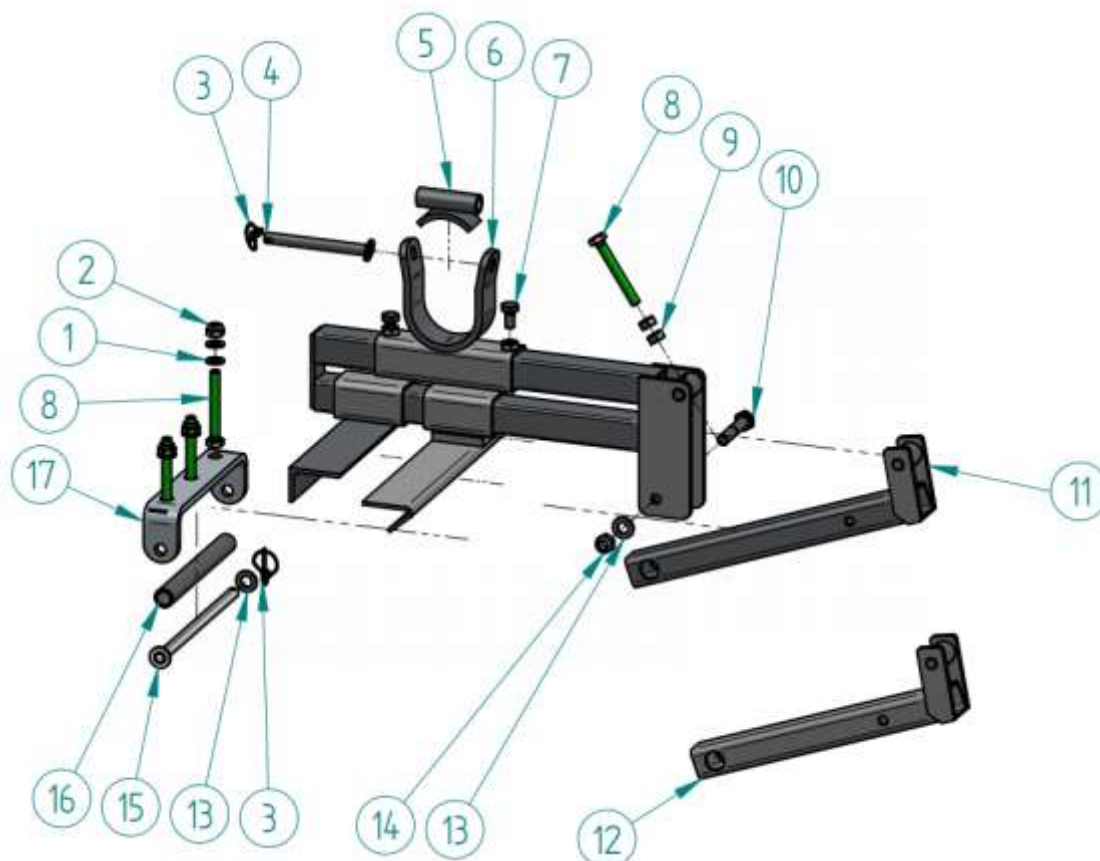
7. DZ parts list 2021 – Header support right



Position	Part no.	Qty.	Description	Note
	92217		Header support complete right short	L 210 mm
	92215		Header support compleet right long	L 250mm
1	125A10	1	M10 washer	DIN125
2	98510	1	M10 locknut	DIN985
3	02380000	2	Safety lock 3,8 mm	
4	76517	1	Lock pin header support	
5	76516	1	Locking header support	
7	9331020	1	M10 x 20	DIN 933
8	9331080	2	M10 X 80	DIN933
9	93410	1	M10 nut	DIN934
10	9311265	1	M12 X 65	DIN931
11	136320	1	Lower bracket	L 250 mm
12	136321	1	Lower bracket	L 210 mm
13	125A12	2	M12 washer	DIN125
14	98512	1	M12 locknut	DIN985
15	92100	1	Pin 12x230	
16	92214	1	Tube 21,3 X 2,65	L = 195
17	61670	1	Lower bracket	
18	126803	1	Header support	

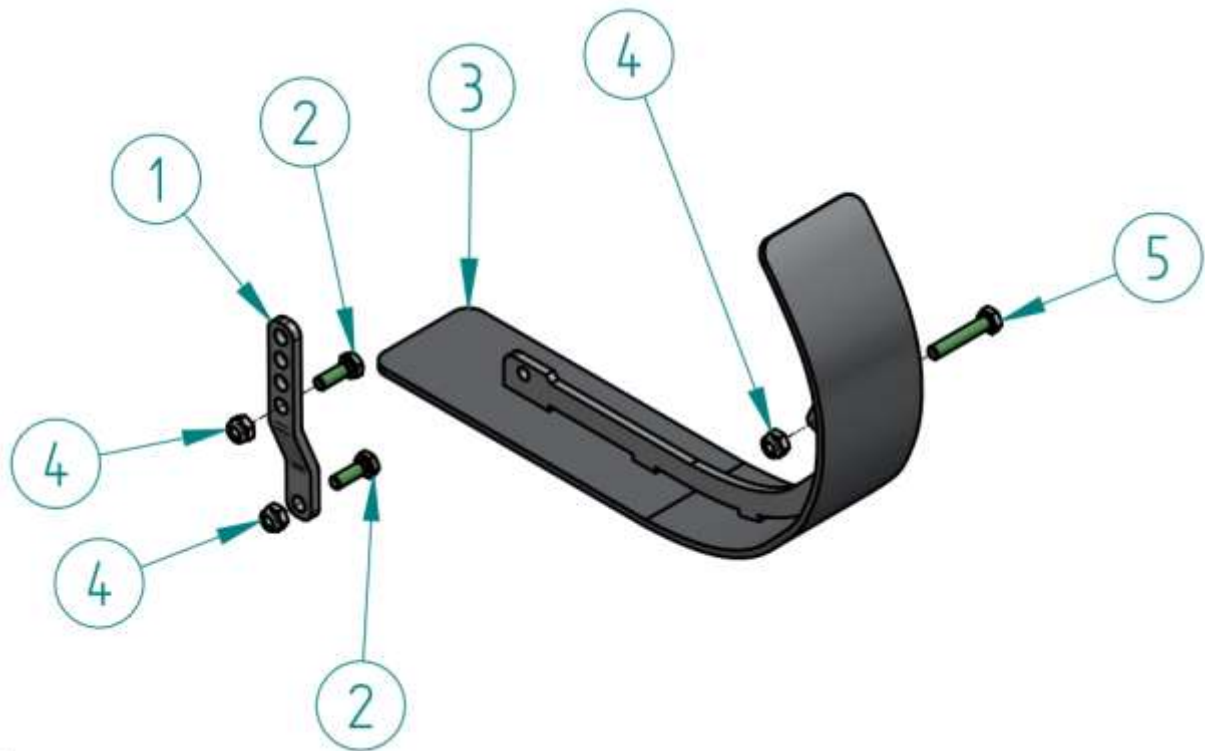


8. DZ parts list 2021 – Header support left



Position	Part no.	Qty.	Description	Note
	92215		Header support left	Long 250MM
	92218		Header support left	short 210MM
1	125A10	6	M10 washer	DIN125
2	98510	3	M10 locknut	DIN985
3	02380000	2	Safety lock 3,8 mm	
4	76517	1	Lock pin header support	
5	76516	1	Locking header support	
6	126803	1	Header support complete	
7	9331020	2	M10 x 20	DIN 933
8	9331080	4	M10 X 80	DIN933
9	93410	2	M10 nut	DIN934
10	9311265	1	M12 X 65	DIN931
11	136320	1	Lower bracket	L 250 mm
12	136321	1	Lower bracket	L 210 mm
13	125A12	2	M12 washer	DIN125
14	98512	1	M12 locknut	DIN985
15	92100	1	Pin 12x230	
16	92214	1	Tube 21,3 X 2,65	L 195mm
17	61670	1	Lower bracket	

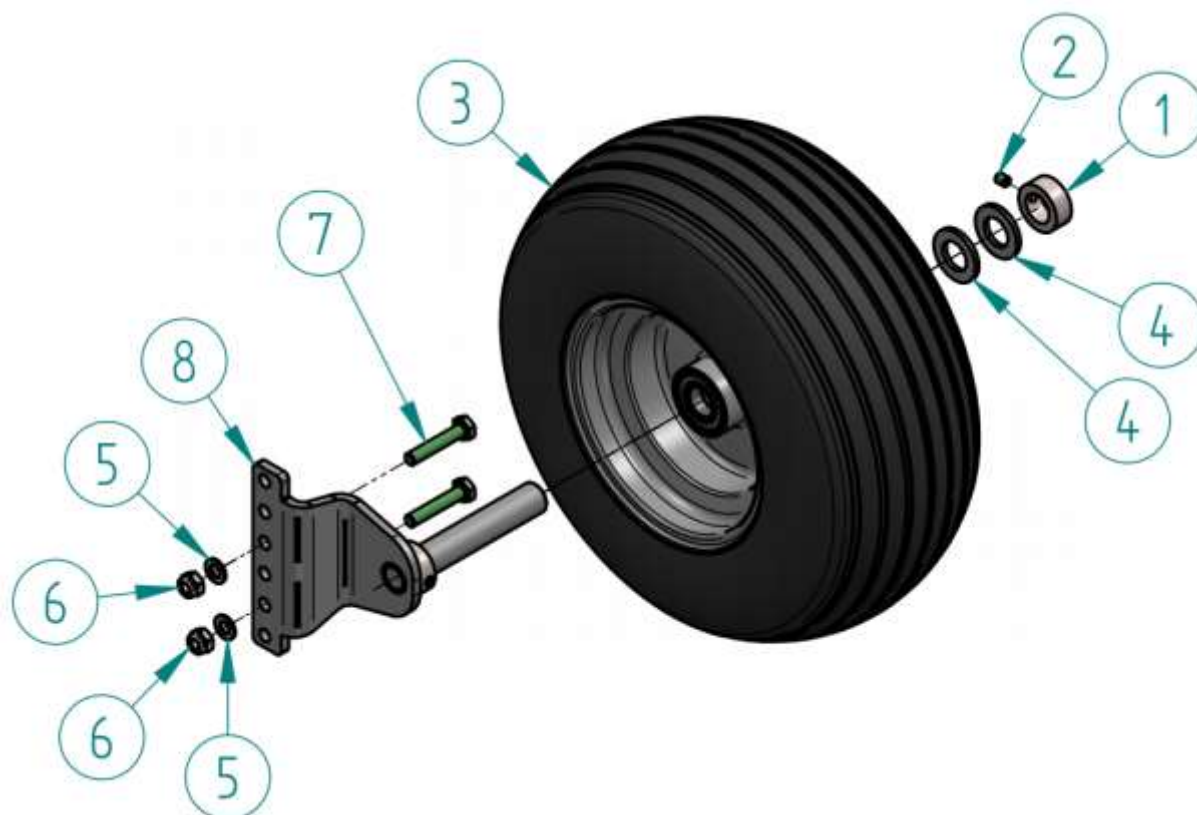
9. DZ parts list 2021 - Outer skid



Position	Part no.	Qty.	Description	Note
1	92020	1	Adjusting strip 4 holes	
2	9331030	2	M10 X 30	DIN933
3	102048	1	Hardox skid	
4	98510	3	M10 locknut	DIN985
5	9331055	1	M10 x 55	DIN933



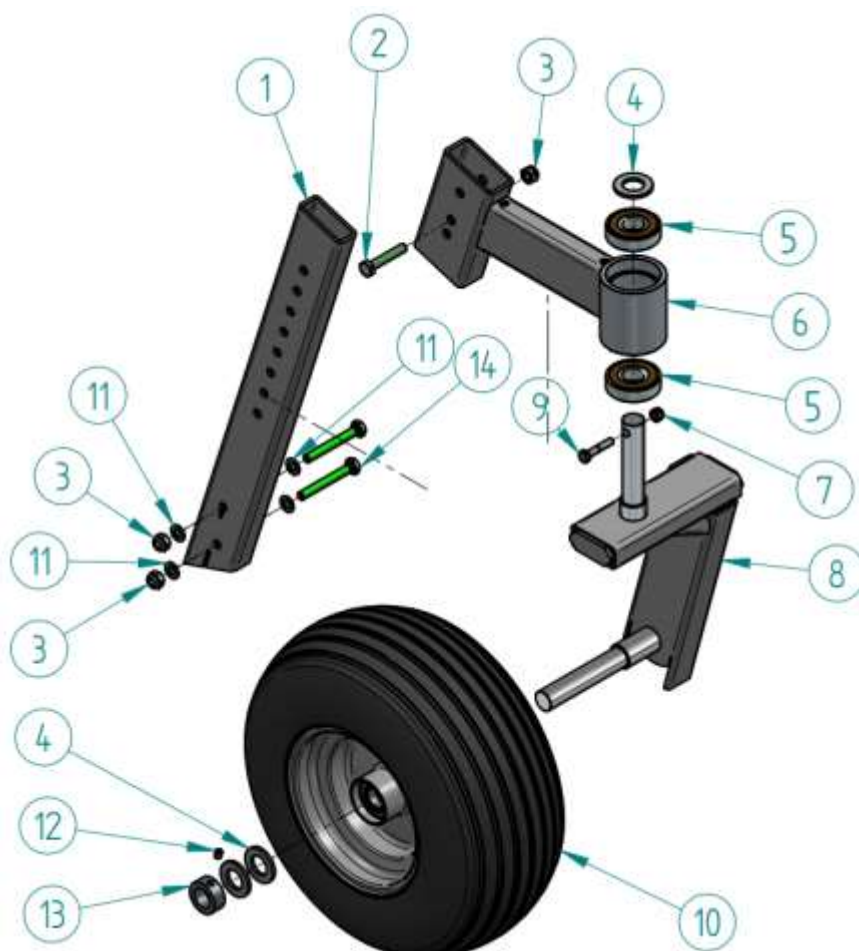
10. DZ Parts list 2021 – Fixed wheel



Position	Part nr	Qty.	Description	Note
1	705A25	1	Lock ring 25x40x16_A	
2	916810B	1	Bolt M8 x10	DIN916
3	FR11665082590	1	Wheel 16 X 6.50 - 8 Complete	25 x100 mm
4	125A24	2	M24 washer	DIN125
5	125A10	2	M10 washer DIN125	DIN125
6	98510	2	M10 locknut	DIN985
7	9331055	2	M10 x 55	DIN 933
8	118819	1	Wheel bracket	



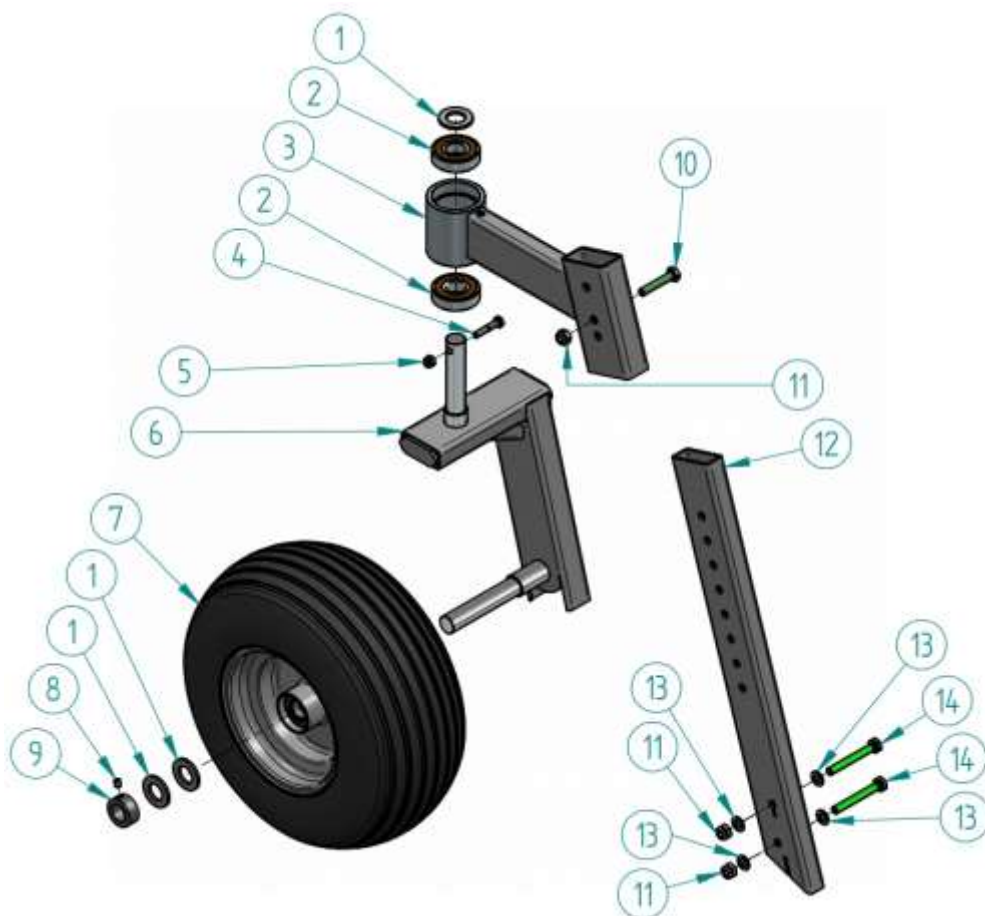
11. DZ parts list 2021 – Swivel wheel Left



Position	Part no.	Qty.	Description	Note
	105420		Set swivel wheels	L&R
1	119241	1	Bracket swivel wheel	
2	9331055	1	M10 x 55	DIN 933
3	98510	3	M10 locknut	DIN985
4	125A24	3	M24 washer	DIN125
5	03733678	2	Bearing	6305-2RS
6	118708	1	Bearing bracket swivel wheel	
7	9858	1	M8 locknut	DIN 985
8	119041	1	Swivel bracket left	
9	931840	1	M8X40	DIN931
10	FR11665082590	1	Wheel 16 X 6.50 - 8 Complete	25 x100 mm
	110486	1	Rim	
	87225	1	Tyre	16 X 6.50
	6812	2	Bearing	6205-2RS
11	125A10	4	M10 washer	DIN125
12	916810B	1	Hexagon M8 x10	DIN916
13	705A25	1	Lock ring	25x40x16
14	9331080	2	M10 X 80	DIN933



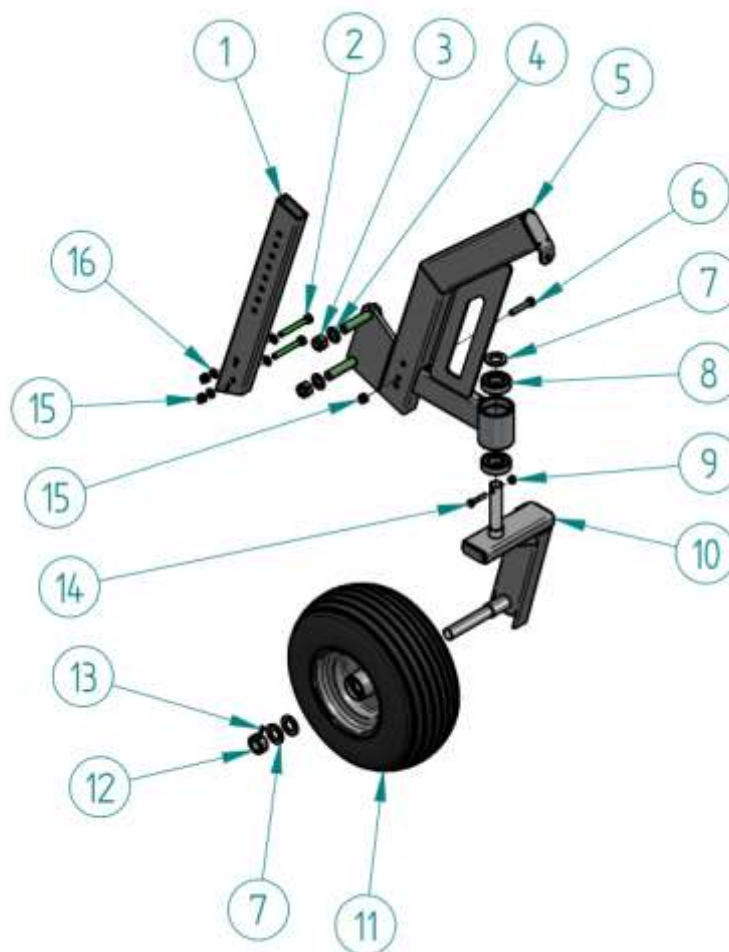
12. DZ parts list 2021 – Swivel wheel right



Position	Part no.	Qty.	Description	Note
	105402		Set swivel wheels	L&R
1	125A24	3	M24 washer	DIN125
2	03733678	2	bearing	6305-2RS
3	118708	1	Bearing bracket swivel wheel	
4	931840	1	M8X40	DIN931
5	9858	1	M8 locknut	DIN 985
6	119675	1	Swivel bracket rechts	
7	FR11665082590	1	Wheel Complete	16 X 6.50 - 8
	110486	1	Rim	
	87225	1	Tyre	16 X 6.50
	6812	2	Bearing	6205-2RS
8	916810B	1	Hexagon M8 x10	DIN 916
9	705A25	1	Lock ring 25x40x16_A	DIN 705
10	9331055	1	M10 x 55	DIN 933
11	98510	3	M10 locknut	DIN985
12	119241	1	Bracket swivel wheel	
13	125A10	4	M10 washer	DIN125
14	9331080	2	M10 X 80	DIN933



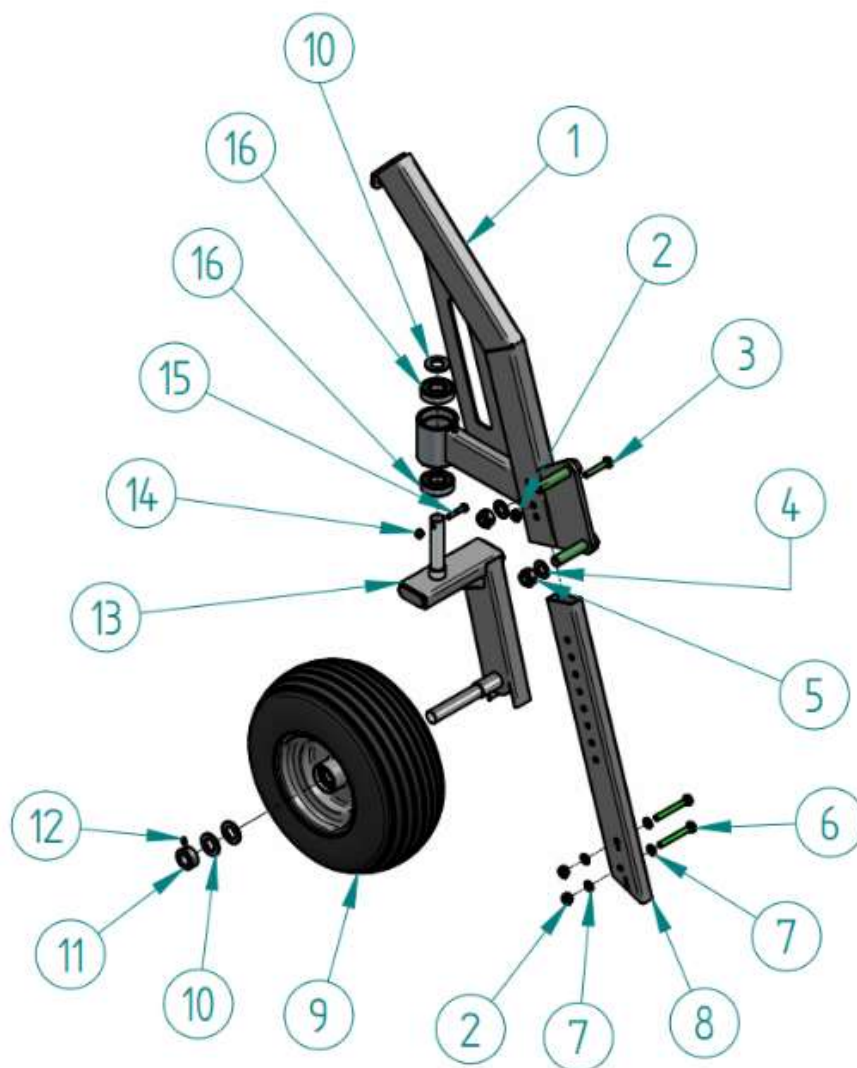
13. DZ parts list 2021 – Swivel wheel left Swath-down



Position	Part no.	Qty.	Description	Note
	136457		Swivel wheel Swath-down complete set.	Set L&R
1	119241	1	Bracket swivel wheel	
2	9331080	2	M10 X 80	DIN933
3	98534UNC	2	3/4 UNC locknut	DIN985
4	125A18	2	M18 washer	DIN125
5	120862	1	Bearing bracket Left	
6	9331055	1	M10 x 55	DIN 933
7	125A24	3	M24 washer	DIN125
8	03733678	2	Bearing	6305-2RS
9	9858	1	M8 locknut	DIN 985
10	119041	1	Swivel bracket left	
11	FR11665082590	1	Wheel 16 X 6.50 - 8 Complete	25 x100 mm
12	705A25	1	Lock ring	25x40x16
13	916810B	1	M8 x10	DIN916
14	931840	1	M8X40	DIN931
15	98510	3	M10 locknut	DIN985
16	125A10	4	M10 washer	DIN125



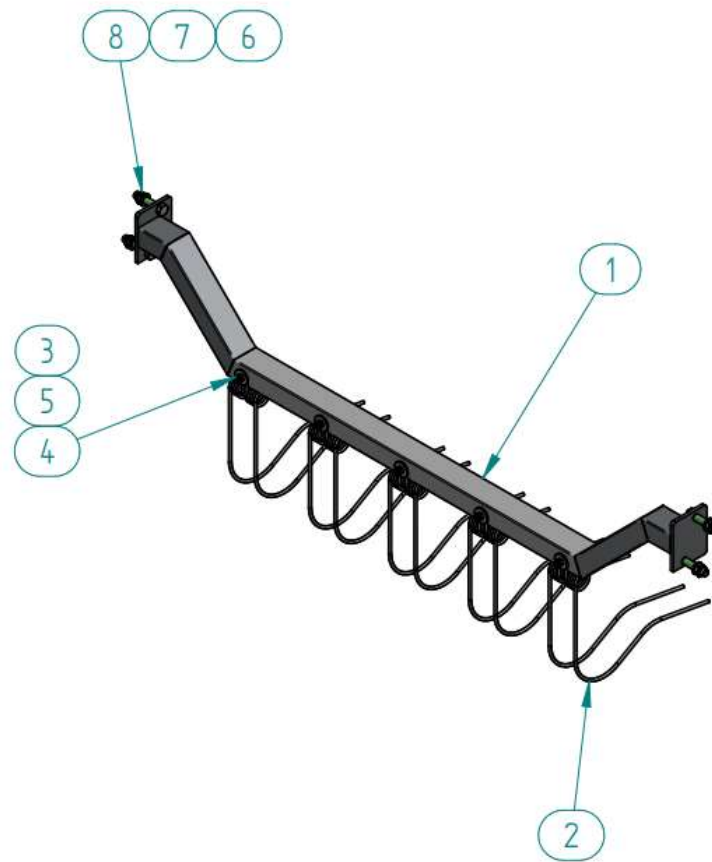
14. DZ parts list 2021 – Swivel wheel right Swath-down



Position	Part no.	Qty.	Description	Note
	136457		Swivel wheel Swath-down complete set.	Set L&R
1	120196	1	Bearing bracket Right	
2	98510	3	M10 locknut	DIN985
3	9331055	1	M10 x 55	DIN 933
4	125A18	2	M18 washer	DIN125
5	98534UNC	2	3/4 UNC locknut	DIN985
6	9331080	2	M10 X 80	DIN933
7	125A10	4	M10 washer	DIN125
8	119241	1	Mounting bracket swivel wheels	
9	FR11665082590	1	Wheel 16 X 6.50 - 8 Complete	25 x100 mm
10	125A24	3	M24 washer	DIN125
11	705A25	1	Lock ring	25x40x16
12	916810B	1	M8 x10	DIN916
13	119675	1	Swivel bracket right	
14	9858	1	M8 locknut	DIN 985
15	931840	1	M8X40	DIN931
16	03733678	2	Bearing	6305-2RS



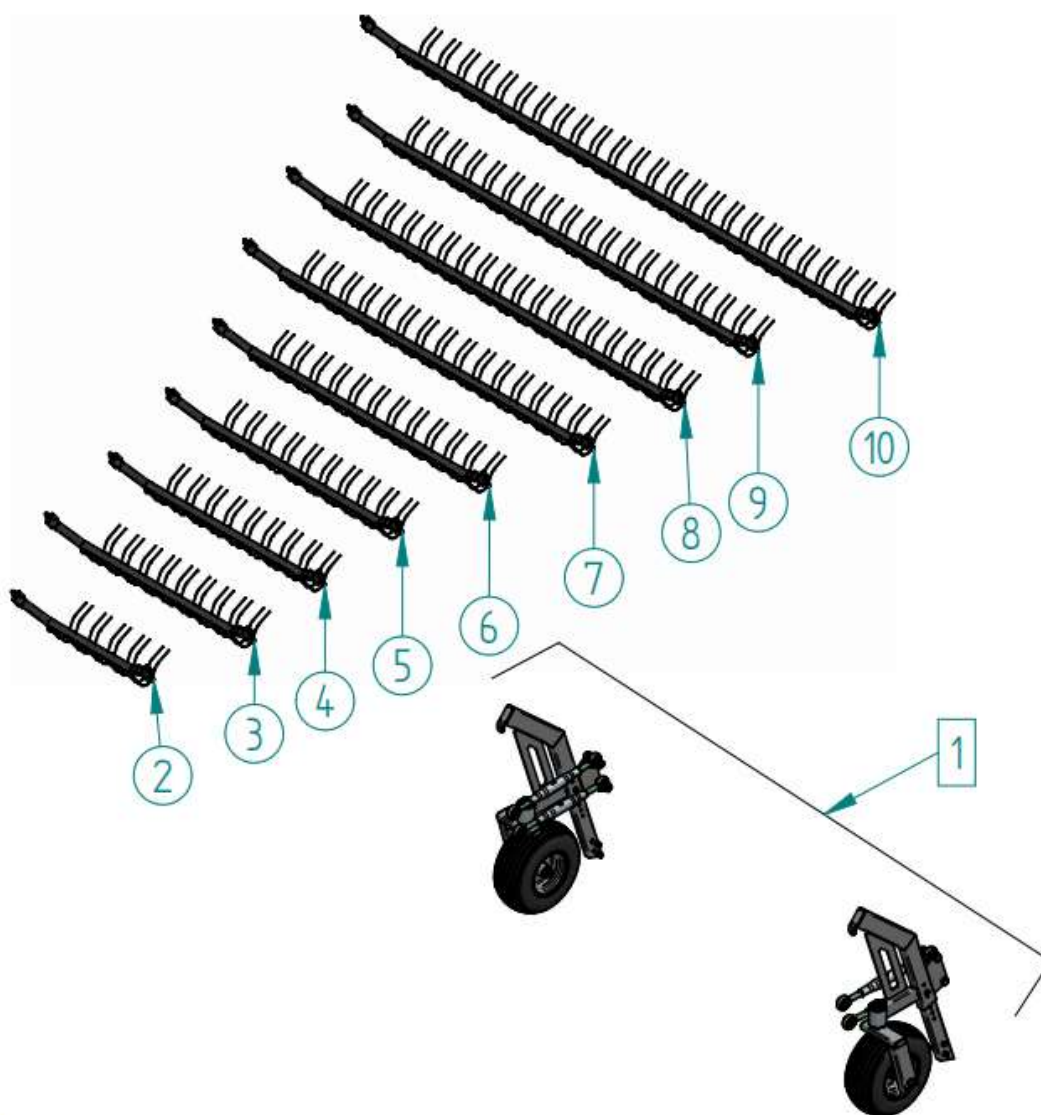
15. DZ parts list 2021 – Swath-down



Position	Part no.	Qty.	Description	note
1	See 15.1	1	Swath-down bar	
2	700-001	5 -25	Spring Swath-down	
3	440R12	5 -25	M12 washer	DIN440
4	98512	5 -25	M12 locknut	DIN985
5	60312110	5 -25	M12X110 Coach bolt	DIN603
6	93134312UNC	4	3/4 X 3 1/2 UNC	DIN931
7	125A18	4	M18 washer	DIN125
8	98534UNC	4	3/4 UNC locknut	DIN985



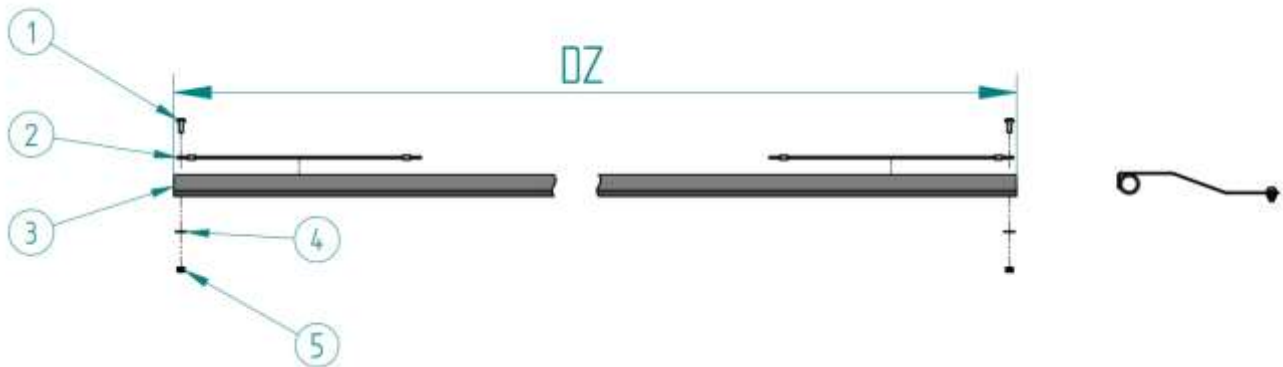
15.1 Swath-down position 1



Pos.	DZ-type	Part no.	Description
1		136457	Set wheels for Swath-down
2	DZ 2.00	123166	Swath-down bar DZ200
3	DZ 3.00	123317	Swath-down bar DZ300
4	DZ 3.10	123444	Swath-down bar DZ310
5	DZ 3.40	123705	Swath-down bar DZ340
6	DZ 4.00	123908	Swath-down bar DZ400
7	DZ 5.10	124317	Swath-down bar DZ510
8	DZ 5.80	124551	Swath-down bar DZ580
9	DZ 6.00	124360	Swath-down bar DZ600
10	DZ 7.60	124362	Swath-down bar DZ760



16. DZ parts list 2021 – Flow board



Position	Part no.	Qty.	Description	Note
1	ISO7380ULF616109	2	M6x16	ISO7380
2	22337	2	Steel cable	L=500
3	See table 16.1	1	Flow board	
4	440R6	2	M6 washer	DIN 440
6	9856	2	M6 Locknut	DIN 985



16.1 Flow board pos. 3 :

DZ-type	Parts no.	Description	Dim.
DZ 1.50	136381	Flow board	L= 1460
DZ 1.80	136382	Flow board	L= 1760
DZ 1.90	136383	Flow board	L= 1840
DZ 2.00	92061	Flow board	L= 1940
DZ 2.20	136384	Flow board	L= 2160
DZ 2.30	136385	Flow board	L= 2260
DZ 2.40	136386	Flow board	L= 2360
DZ 2.50	92062	Flow board	L= 2460
DZ 2.70	136387	Flow board	L= 2660
DZ 2.75	136388	Flow board	L= 2690
DZ 2.90	136389	Flow board	L= 2840
DZ 2.95	136390	Flow board	L= 2890
DZ 3.00	136391	Flow board	L= 2960
DZ 3.10	136392	Flow board	L= 3040
DZ 3.20	136393	Flow board	L= 3140
DZ 3.40	92063	Flow board	L= 3360
DZ 3.60	92064	Flow board	L= 3540
DZ 3.70	50305	Flow board	L= 3640
DZ 3.80	92065	Flow board	L= 3740
DZ 3.90	92066	Flow board	L= 3840
DZ 4.00	92067	Flow board	L= 3940
DZ 4.10	136394	Flow board	L= 4040
DZ 4.20	92068	Flow board	L= 4140
DZ 4.30	136395	Flow board	L= 4240
DZ 4.50	92069	Flow board	L= 4440
DZ 4.55	136396	Flow board	L= 4490
DZ 4.60	136397	Flow board	L= 4540
DZ 1.50	136381	Flow board	L= 1460

DZ-type	Part no.	Description	Dim.
DZ 4.70	136398	Flow board	L= 4640
DZ 4.80	92070	Flow board	L= 4740
DZ 4.90	136399	Flow board	L= 4840
DZ 5.00	136400	Flow board	L= 4940
DZ 5.10	92071	Flow board	L= 5040
DZ 5.20	136401	Flow board	L= 5140
DZ 5.30	92072	Flow board	L= 5240
DZ 5.40	136402	Flow board	L= 5340
DZ 5.50	92073	Flow board	L= 5440
DZ 5.60	136403	Flow board	L= 5540
DZ 5.70	92074	Flow board	L= 5640
DZ 5.80	60757	Flow board	L= 5740
DZ 5.90	136404	Flow board	L= 5840
DZ 5.95	136405	Flow board	L= 5890
DZ 6.00	92075	Flow board	L= 5940
DZ 6.10	92076	Flow board	L= 6040
DZ 6.20	92077	Flow board	L= 6140
DZ 6.35	136406	Flow board	L= 6190
DZ 6.40	136407	Flow board	L= 6340
DZ 6.50	136408	Flow board	L= 6440
DZ 6.90	136409	Flow board	L= 6840
DZ 7.10	136410	Flow board	L= 7040
DZ 7.25	136411	Flow board	L= 7190
DZ 7.30	136412	Flow board	L= 7260
DZ 7.35	136413	Flow board	L= 7290
DZ 7.40	136414	Flow board	L= 7340
DZ 7.60	136415	Flow board	L= 7540